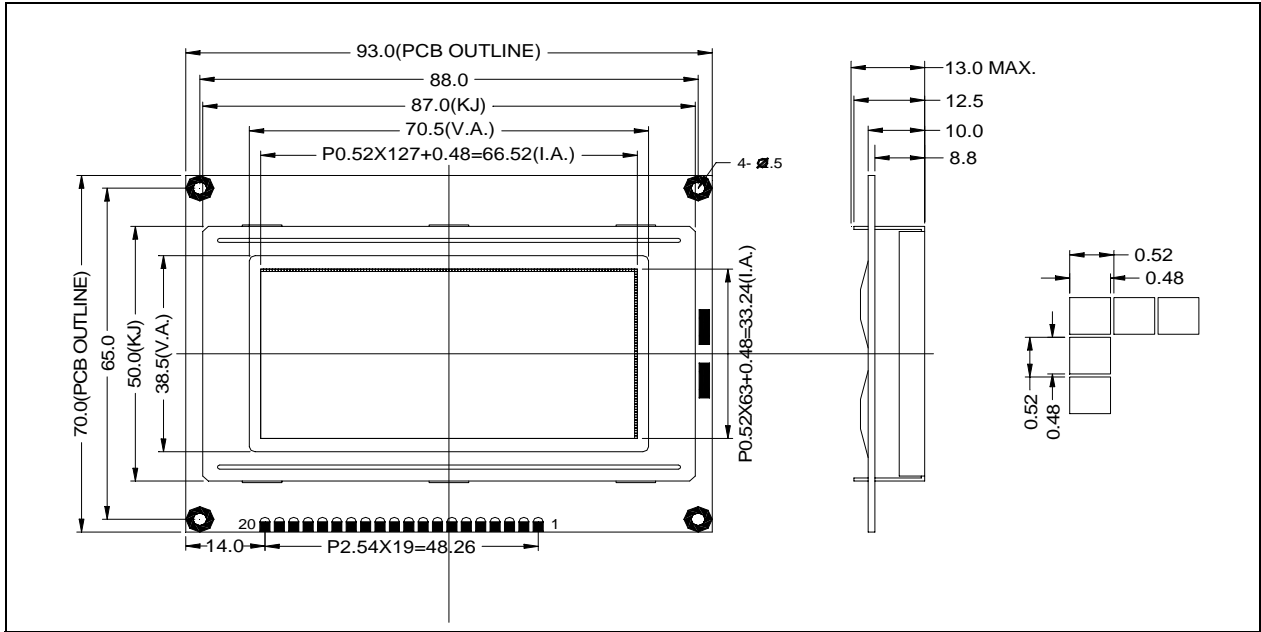


EDM12864-88

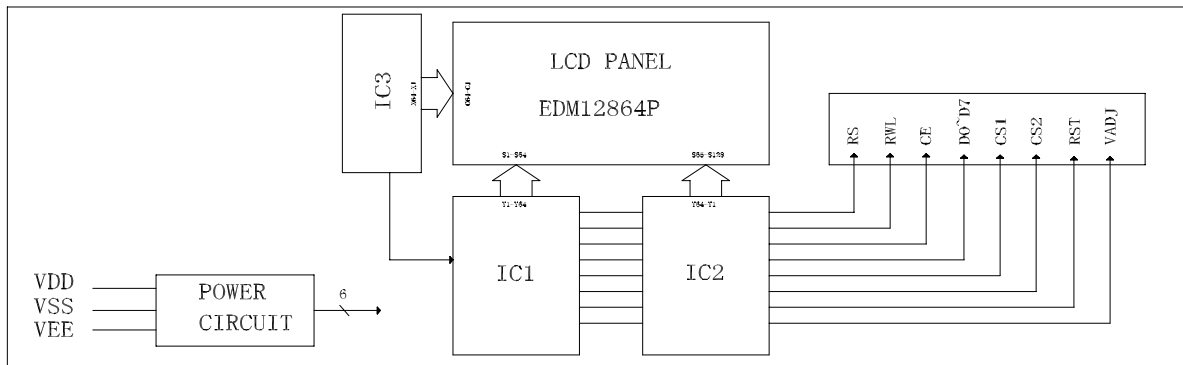
1.0 Features

- * Display: 128 Dots×64 dots;
- * Driver Mode: 1/64 Duty, 1/9 Bias;
- * Display Mode: transmissive type optional; Positive; Normal / wide Temp. Optional;
- * Assembly: COB
- * Backlight: EL / LED optional;

2.0 Extern Dimensions



3.0 Logic Diagram



4.0 I/O connection

Pin No.	1	2	3	4	5	6	7-14
Symbol	GND	VDD	VLCD	RS	RW	CE	D0-D7
Pin No.	15	16	17	18	19	20	
Symbol	CS1	CS2	RST	VADJ	BL+	BL-	