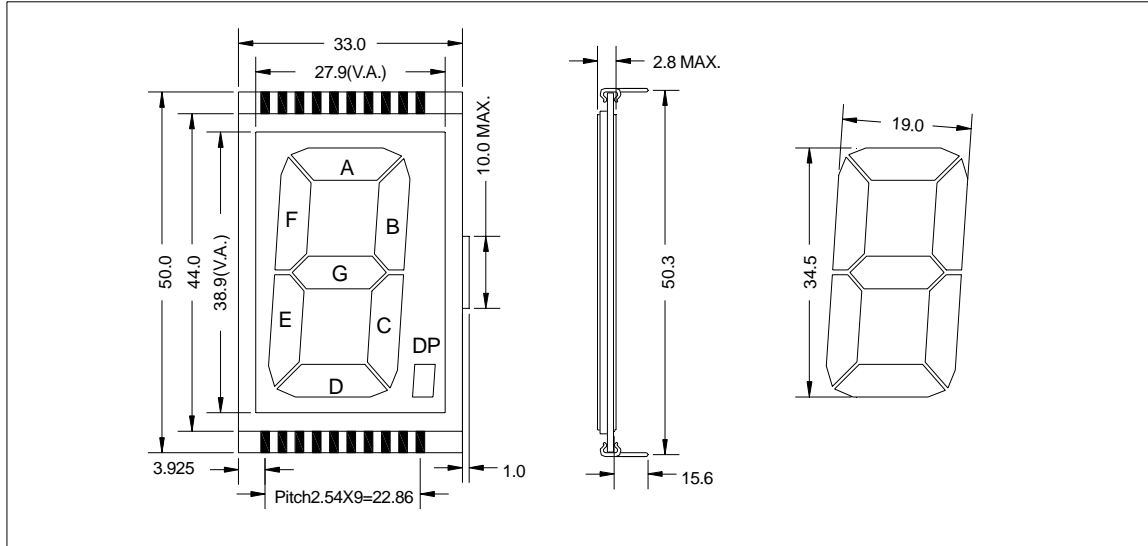


1.0 External Dimensions



2.0 Logic

PIN#	1-2	3-4	5-6	7-8	9-10	11-12	13-14	15-16	17-18	19-20
SYM.	COM	E	D	C	DP	G	B	A	F	COM