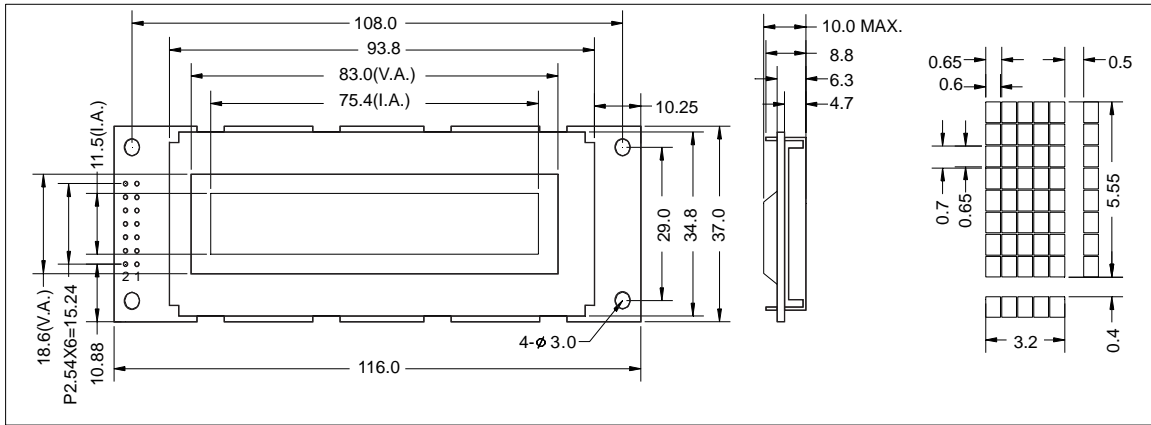


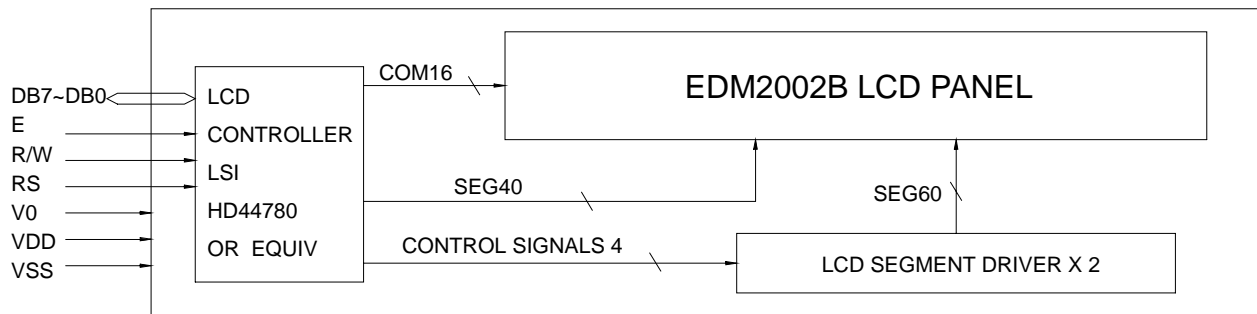
1.0 Features

- * Display Mode: Reflective/Transflective/Transmissive and Positive Type STN
- * Assembly: EDM2002B -- SMT ; DFMC2002-02 -- COB
- * Backlight: Optional

2.0 External Dimensions



3.0 Block Diagram



4.0 Electro-Optical Characteristics

Item	Symbol	Conditions	Standard Value			Unit
			Min.	Typ.	Max.	
Power Supply for Logic	Vdd-Vss	—	4.5	5.0	5.5	V
Current Consumption for Logic & LC Driving	Id	Vdd=5.0V	—	2.0	3.0	mA
Operating Voltage for LCD	Vdd-V0	Ta=25°C	—	5.0	—	V
Response Time(Rising)	Tr	Top=25°C	—	200	250	ms
Response Time(Falling)	Tf	∅=0°, θ=0°	—	250	300	ms
Viewing Angle	∅2-∅1	K≥2	-20	—	45	DEG.
Contrast Ratio	K	∅=0°, θ=0°	4	—	—	—
Frame Frequency	f FLM	—	—	82.0	—	Hz

5.0 I/O Connection

Pin No.	Symbol	Function	Pin No.	Symbol	Function
1	Vss	Signal ground (GND)	5	R/W	Read or write selecting
2	Vdd	Power Supply Voltage (+5V)	6	E	Enable signal
3	Vee	Power Supply for driving LCD	7~14	DB0~DB7	Data transport
4	RS	Register selecting			