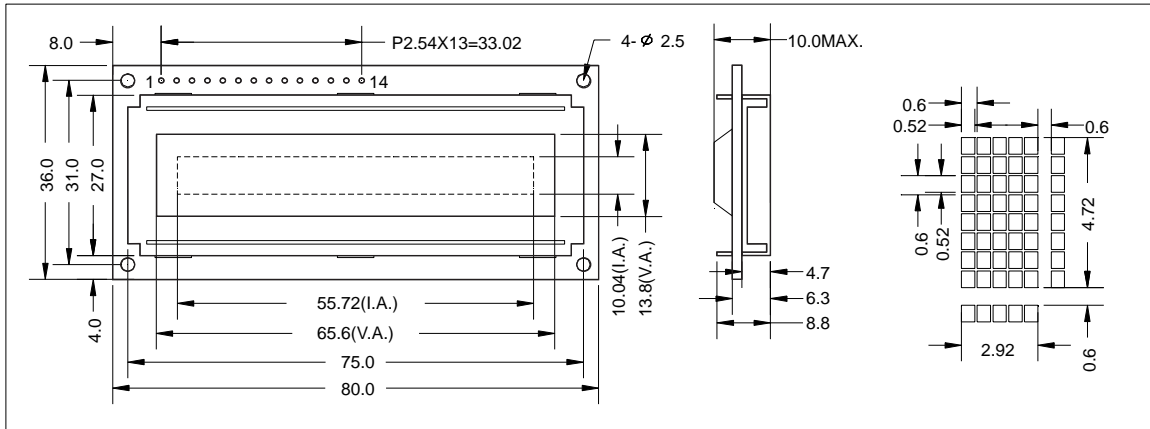


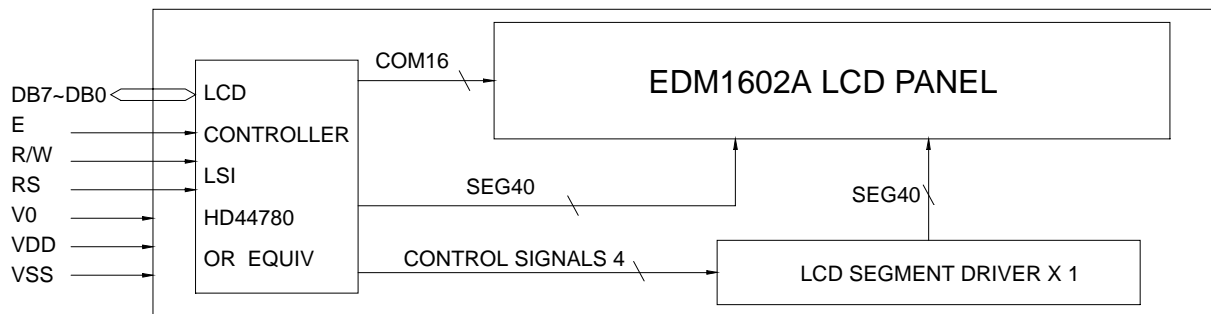
1.0 Features

- * Display Mode: Reflective/Transflective/Transmissive and Positive Type STN
- * Assembly: EDM1602A -- SMT ; DFMC1602-01 -- COB
- * Backlight: Optional

2.0 External Dimensions



3.0 Block Diagram



4.0 Electro-Optical Characteristics

| Item | Symbol | Conditions | Standard Value | | | Unit |
|--|---------|------------------------|----------------|------|------|------|
| | | | Min. | Typ. | Max. | |
| Power Supply for Logic | Vdd-Vss | — | 4.5 | 5.0 | 5.5 | V |
| Current Consumption for Logic & LC Driving | Id | Vdd=5.0V | — | 2.0 | 3.0 | mA |
| Operating Voltage for LCD | Vdd-V0 | Ta=25°C | — | 4.0 | — | V |
| Response Time(Rising) | Tr | Top=25°C ∅=0°, θ=0° | — | 200 | 250 | ms |
| Response Time(Falling) | Tf | | — | 250 | 300 | ms |
| Viewing Angle | ∅2-∅1 | K ≥ 2 | -20 | — | 45 | DEG. |
| Contrast Ratio | K | ∅=0°, θ=0° | 4 | — | — | — |
| Frame Frequency | f FLM | — | — | 82.0 | — | Hz |

5.0 I/O Connection

| Pin No. | Symbol | Function | Pin No. | Symbol | Function |
|---------|--------|------------------------------|---------|---------|-------------------------|
| 1 | Vss | Signal ground (GND) | 5 | R/W | Read or write selecting |
| 2 | Vdd | Power Supply Voltage (+5V) | 6 | E | Enable signal |
| 3 | Vee | Power Supply for driving LCD | 7~14 | DB0~DB7 | Data transport |
| 4 | RS | Register selecting | | | |